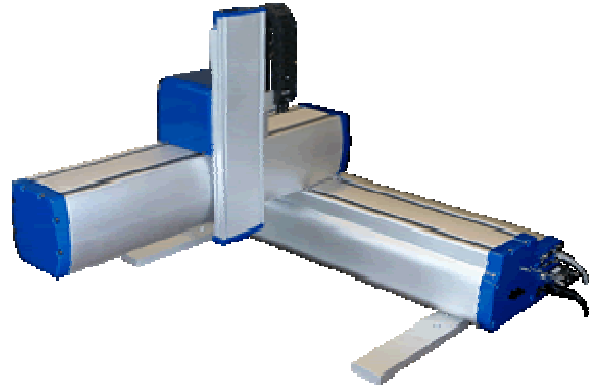


## Precise Robots™ PrecisePlace 2000A

*Precise Automation, Inc.*



PrecisePlace Cartesian robots come out of the box fully assembled and straight into your application. Just plug them into an AC outlet and Ethernet and they are ready to work. The controller and harnesses are embedded within the robot's structure, resulting in a much smaller footprint. No controller integration is required, no harness to purchase or thread and no extra controller cabinets.



PrecisePlace robots feature the powerful Guidance vision-guided motion controller, a novel patented direct drive system (U.S. Patent 7,343,684) and servo motor performance. These features enable smooth, quiet motion without the use of linear motors or other expensive components. This greatly reduces cost without sacrificing performance or capabilities and makes Precise robots ideal for applications where size and budget are critical.

### Key Features

- Guidance Vision-Guidance Controller and power supplies embedded in robot structure to achieve low cost and less product footprint
- All harnesses, wires, and hoses are contained inside the robot structure to eliminate cables in the workspace
- Fully integrated system and fully assembled for ready to use system
- Pneumatic lines and IO user signals are available for application use at end effector
- Encoder provide excellent resolution and repeatability

### Preciseplace 2000A Features

- Available in two, three, or four axis configuration
- Easily adaptable gripper can be mounted vertically to reach down to assemble parts and horizontally to service a row of equipment that is not directly in-line with the robot base.
- Available X-Axis travel has configurations from 500mm to 1000 mm
- Available Y-Axis travel has configurations from 300mm (standard) to 600mm (optional)
- Available Z-Axis travel of 240mm
- Maximum acceleration of 0.6G and maximum speed of 2,000 mm/sec

The patented, novel direct drive system is featured for zero-back lash, zero-clogging drive requires no maintenance and has far fewer parts than other designs incorporating belts, cabinets, ball screws, etc. The extrusion based structure allows robots to be custom made to fit your workspace. PrecisePlace 2000A is also available in ISO Class 2 clean room version.



# PRECISEPLACE 2000A DIMENSIONS:

